

Name _____

Date _____

LESSON 6.1

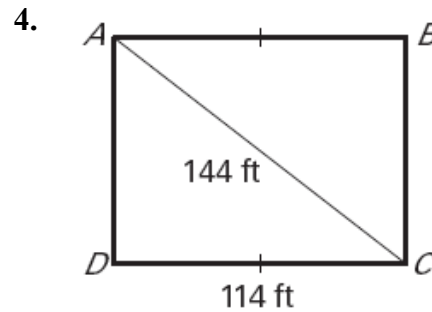
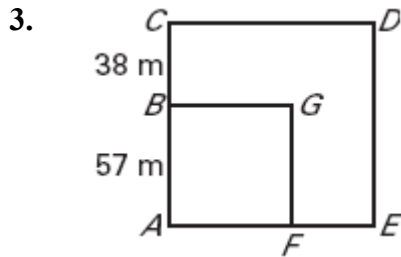
Practice C

For use with pages 356–363

Simplify the ratio.

1. 4 seconds : 1 year
2. 7 qt: 550 gallons

Find the ratio of AB to AC in simplest form.



Let $x = 8$, $y = 6$, and $z = 5$. Write the ratio in simplest form.

5. $\frac{3z+2y}{4z}$

6. $\frac{(x+y)-z}{2y}$

The perimeter/area and the ratio of the length to the width of a rectangle are given. Find the length and width of the rectangle.

7. Perimeter: 280 ft
 $l:w = 11:9$

8. Area: 294 yd^2
 $l:w = 3:2$

The measures of the angles of a triangle are in the extended ratio given. Find the measures of the angles of the triangle.

9. 3:7:10

10. 7:16:22

Solve the proportion.

11. $\frac{9}{s} = \frac{s}{16}$

12. $\frac{19}{32} = \frac{7d+3}{15d-11}$

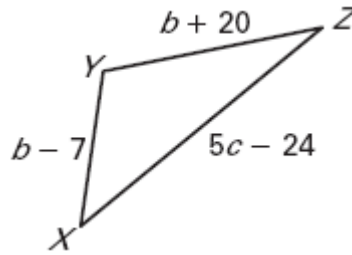
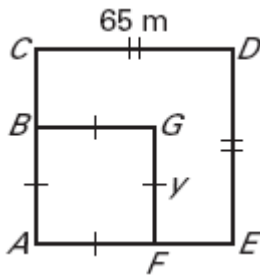
13. $\frac{x}{111} = \frac{5x-28}{333}$

14. $\frac{4x}{6x+4} = \frac{x}{25}$

Use the given ratio and information in the figure to find the value of the variable(s).

15. $CD:AB = 5:3$

16. $XY:YZ:XZ = 7:10:14$



Find the geometric mean of the two numbers.

17. 6 and 24

18. 7 and 28

19. 15 and 45

20. 12 and 48