

Name _____

Date _____

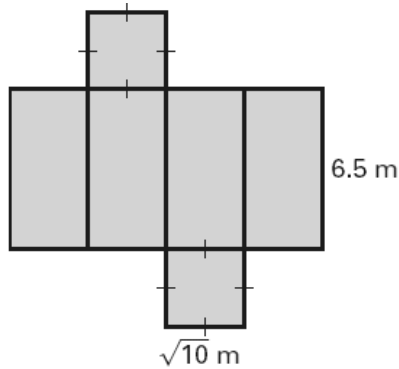
LESSON 12.2

Practice C

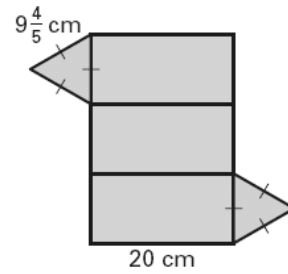
For use with pages 802–809

Find the surface area of the solid formed by the net. Round your answer to two decimal places.

1.

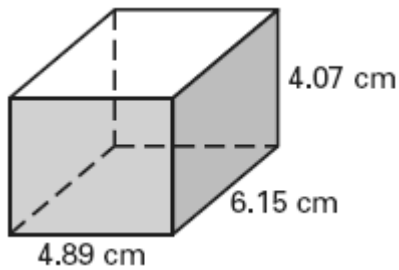


2.

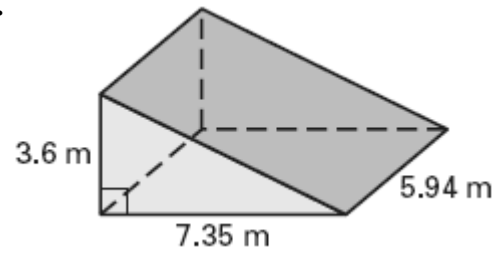


Find the surface area of the right prism. Round your answer to two decimal places.

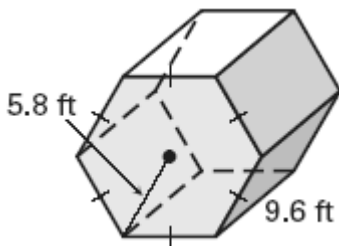
3.



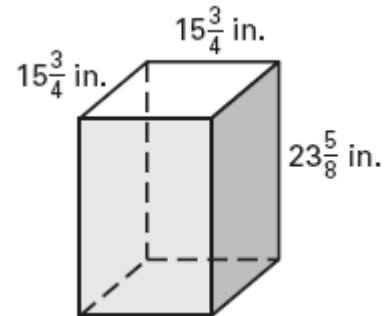
4.



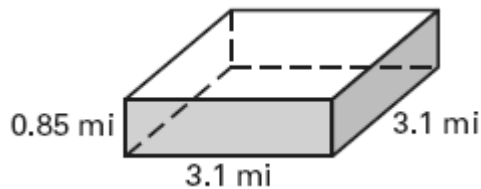
5.



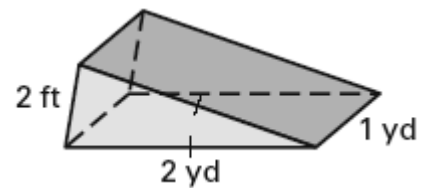
6.



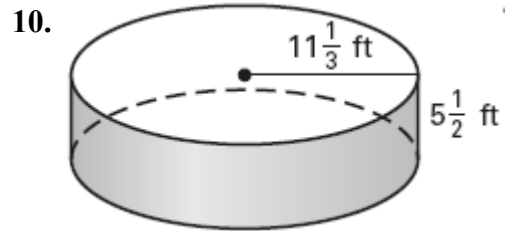
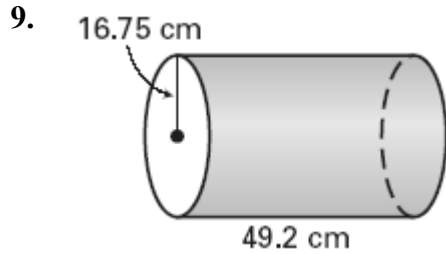
7.



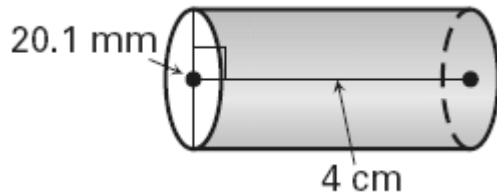
8.



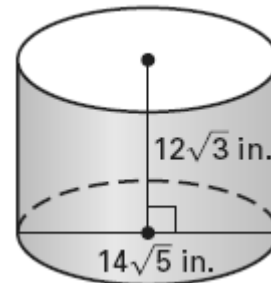
Find the surface area of the right cylinder. Round your answer to two decimal places.



11.

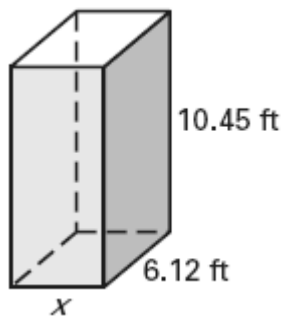


12.

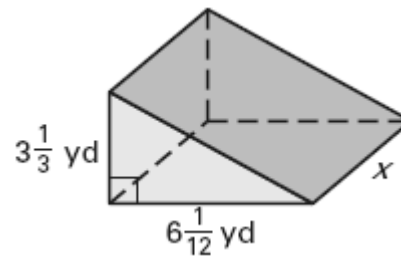


Solve for x given the surface area S of the right prism or right cylinder. Round your answer to two decimal places.

13. $S = 274.39 \text{ ft}^2$

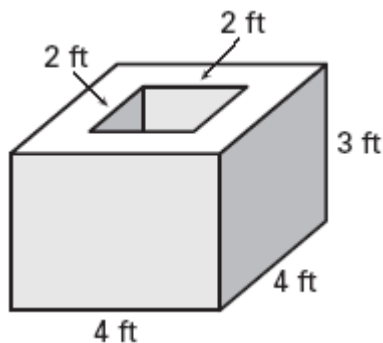


14. $S = 114.33 \text{ yd}^2$



Find the surface area of the solid. Round your answer to two decimal places.

15.



16.

